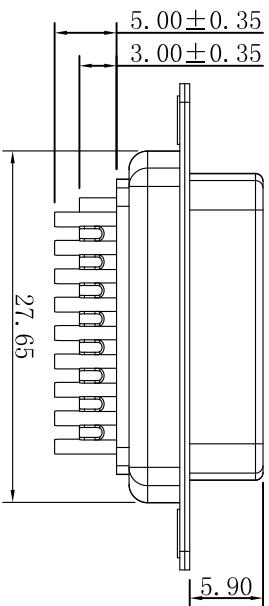
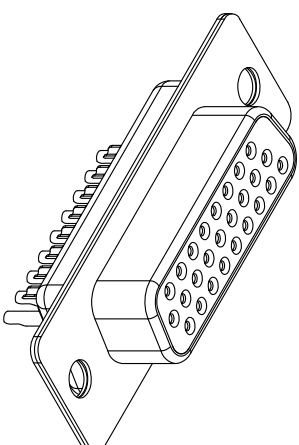
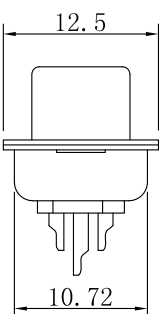
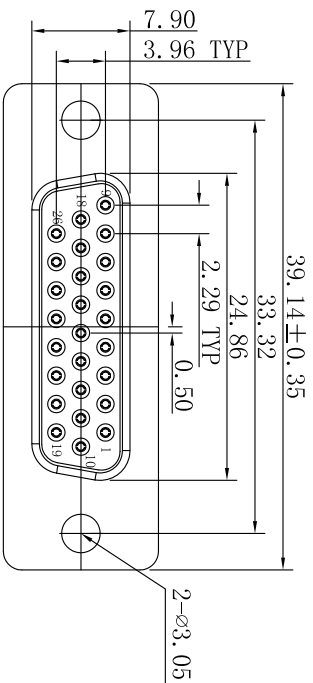
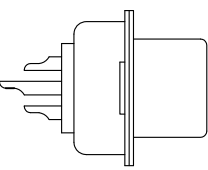
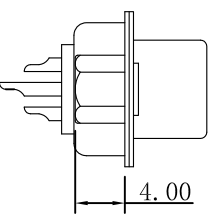
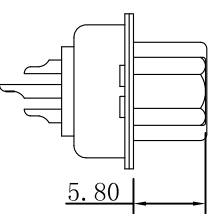


GP Component



Specification Type

A	B	C
		

REV.	ECN NO.	LOCATIONS	DESCRIPTION	DATE	DESIGN
AO			原始版本(INITIAL EDITION)	2020.12.02	m t

CHARACTERISTICS:

1. RATED VOLTAGE: 250V AC CD
2. RATED CURRENT: 3.0AMP
3. CONTACT RESISTANCE: 30mΩ Max.
4. INSULATION RESISTANCE: 1000 MΩ MIN. 500V DC
5. Electric Pressure: Keeping 60 second in AC 500V/1mA
6. Operating temperature: -55°C~105°C
7. INSERTION/EXTRACTION FORCE PER CONTACT: 5.84Kg Max
0.45Kg Min.

01.HDB026 F X XXX XX A XXX

PIN Poles	26:26PIN	M/F Differentiates	M=Male F=Female	Hsg Color	1=Black 3=Blue 2=White 4=Green 5=Yellow 6=Purple	Plating	G00:Gold flash G01:Gold 1U" G03:Gold 3U" Gxx:Gold XXU"	B00:Bright sn B01:Bright sn 1U" B03:Bright sn 3U" Bxx:Bright sn XXU"	M00:Matte sn M01:Matte sn 1U" M03:Matte sn 3U" Mxx:Matte sn XXU"
Water Code		Specification Type		Hsg Material	H1=PB1 HF H2=PA6T HF H3=PA9T HF H4=PA66 HF H5=LCF 10=PB1 11=PA6T 12=PA9T 13=PA66 14=PA46				

 UNTR: mm [inch]	 东莞市跃展精密连接器有限公司 Dongguan YueZhan Precision Connectors Co.,Ltd	DESIGN:	2020.12.02	PART NAME:	HDB 26F系列图
		CHECKED:	2020.12.02	PART NO.:	01.HDB026FXXXXXXXXXX
TOLERANCE:	X.X ±0.35 X.XX ±0.25 X.XXX ±0.15 Angle ±3.0°	APPROVED:	2020.12.02	DRAW NO.:	01 OF 01
SCALE:1:1	SIZE:A4				