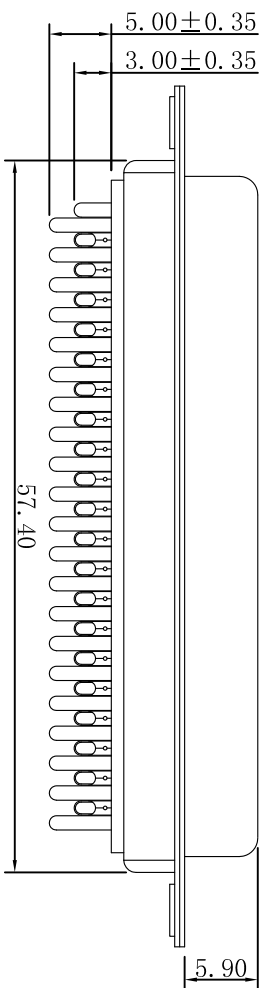
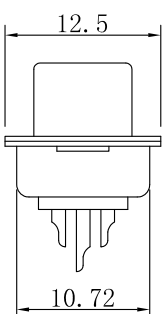
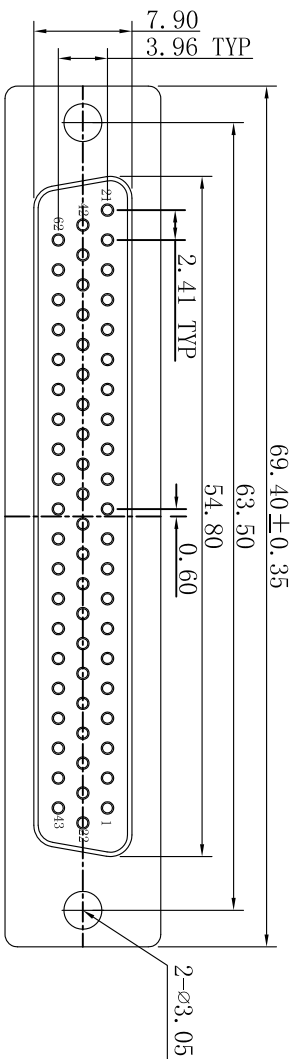
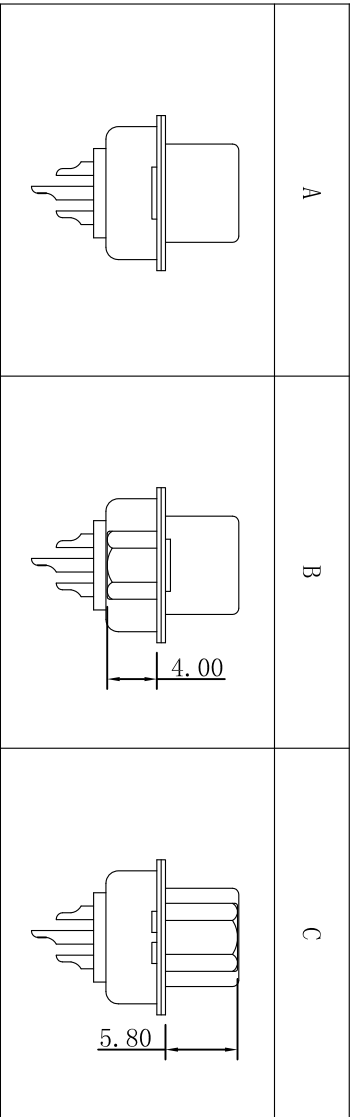


GP Component



Specification Type



REV.	ECN NO.	LOCATIONS	DESCRIPTION	DATE	DESIGN
A0			原始版本(INITIAL EDITION)	2020.12.02	m t

CHARACTERISTICS:

- 1、 RATED VOLTAGE: 250V AC CD
- 2、 RATED CURRENT: 3.0AMP
- 3、 CONTACT RESISTANCE: 30mΩ Max.
- 4、 INSULATION RESISTANCE: 1000 MΩ MIN. 500V DC
- 5、 Electric Pressure: Keeping 60 second in AC 500V/1mA
- 6、 Operating temperature: -55℃~105℃
- 7、 INSERTION/EXTRACTION FORCE PER CONTACT: 13.2Kg Max
1.1Kg Min.

01.HDB062 F X XXX XX A XXX

PIN Poles	62:62PIN				
M/F Differentiates	M=Male F=Female				
Hsg Color	1=Black 3=Blue 2=White 4=Green 5=Yellow 6=Purple				
Plating	G00:Gold flash G01:Gold 1U" G03:Gold 3U" Gxx:Gold XXU"	B00:Bright sn B01:Bright sn 1U" B03:Bright sn 3U" Bxx:Bright sn XXU"	M00:Matte sn M01:Matte sn 1U" M03:Matte sn 3U" Mxx:Matte sn XXU"		

UNTR: mm [inch]	东莞市跃展精密连接器有限公司 Dongguan YueZhan Precision Connectors Co.,Ltd	DESIGN: 牟 2020.12.02	PART NAME: HDB 62P系列图
		CHECKED: 牟 2020.12.02	PART NO. 01.HDB062PXXXXXXXXXX
TOLERANCE: X.X ±0.35 X.XX ±0.25 X.XXX ±0.15 Angle ±3.0°		APPROVED: 牟 2020.12.02	DRAW NO. SHEET NO. 01 OF 01
SCALE:1:1 SIZE:A4			