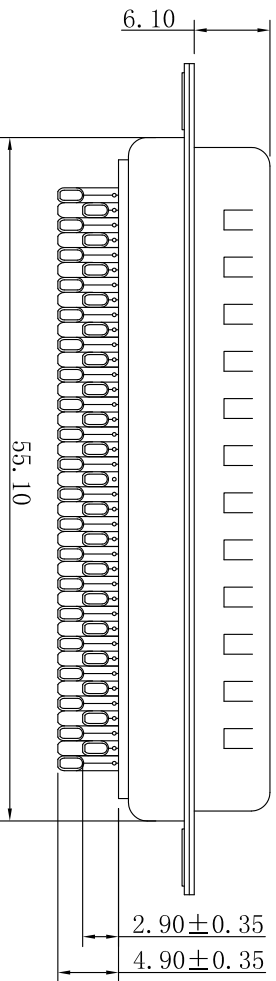
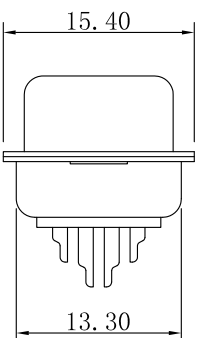
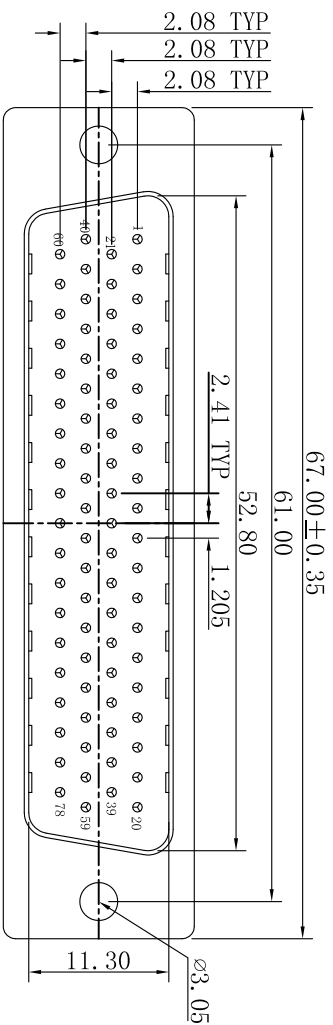
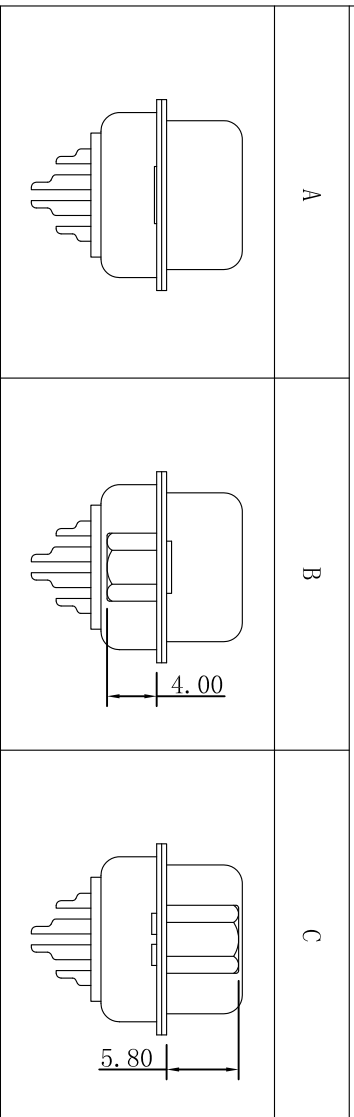


GP Component



Specification Type



REV.	ECN NO.	LOCATIONS	DESCRIPTION	DATE	DESIGN
A0			原始版本(INITIAL EDITION)	2020.12.02	m t

CHARACTERISTICS:

1. RATED VOLTAGE: 250V AC CD
2. RATED CURRENT: 3.0AMP
3. CONTACT RESISTANCE: 30mΩ Max.
4. INSULATION RESISTANCE: 1000 MΩ MIN. 500V DC
5. Electric Pressure: Keeping 60 second in AC 500V/1mA
6. Operating temperature: -55°C ~ 105°C
7. INSERTION/EXTRACTION FORCE PER CONTACT: 17.6Kg Max 1.45Kg Min.

01.HDB078 M X XXX XX A XXX

PIN Poles	78:78PIN				
M/F Differentiates	M=Male F=Female				
Hsg Color	1=Black 3=Blue 5=Yellow 2=White 4=Green 6=Purple				
Plating	G00:Gold flash G01:Gold 1U" G03:Gold 3U" Gxx:Gold XXU"	B00:Bright sn B01:Bright sn 1U" B03:Bright sn 3U" Bxx:Bright sn XXU"	M00:Matte sn M01:Matte sn 1U" M03:Matte sn 3U" Mxx:Matte sn XXU"		

<p>东莞市跃展精密连接器有限公司 Dongguan YueZhan Precision Connectors Co., Ltd</p>	DESIGN: 牟 2020.12.02	PART NAME: HDB 78N系列图
	CHECKED: 牟 2020.12.02	
APPROVED: 牟 2020.12.02	DRAW NO.	SHEET NO. 01 OF 01
UNITS: mm [inch]	TOLERANCE: X.X ±0.35 X.XX ±0.25 X.XXX ±0.15 Angle ±3.0°	SCALE: 1:1 SIZE: A4