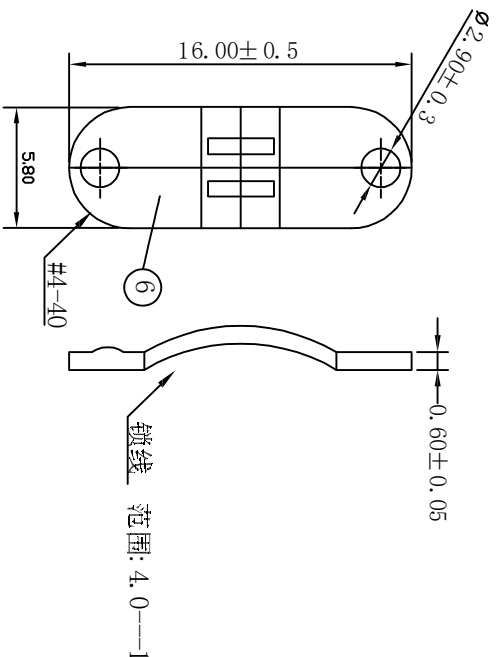
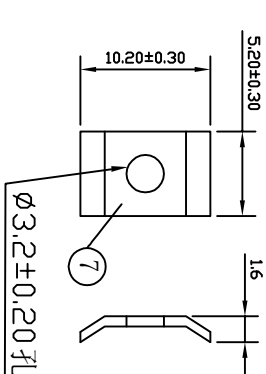
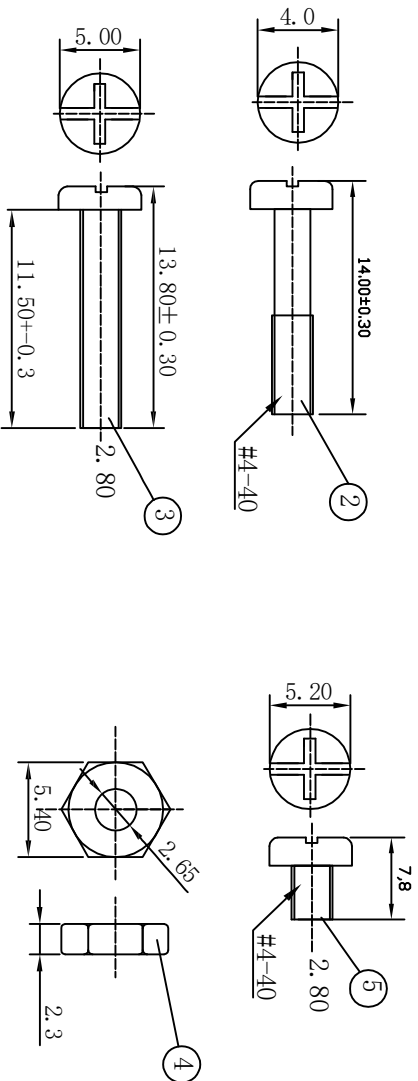
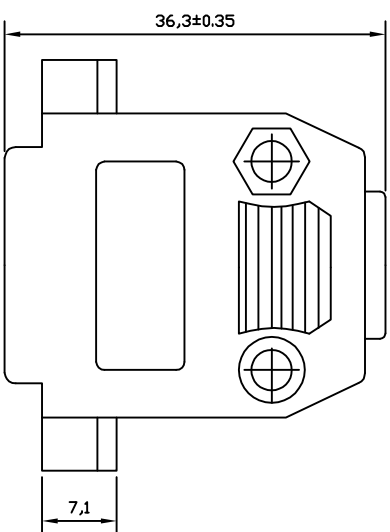
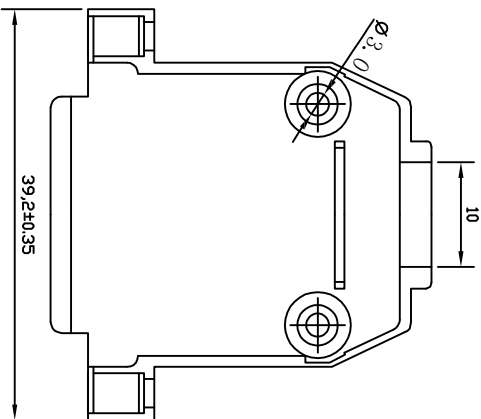


ROHS2.0



未注公差: ±0.40

| REV. | ECN NO. | LOCATIONS | DESCRIPTION | DATE | DESIGN |
|------|---------|-----------|------------------------|------------|--------|
| AO | | | 原始版本 (INITIAL EDITION) | 2021.11.08 | m t |

| | | | | | |
|--|--|---|--|--|--|
| <p>东莞市跃展精密连接器有限公司 Dongguan Yuezhan Precision Connectors Co., Ltd Tel: +86-769-8318391/2 Fax: +86-769-8318391 Web: www.dgzpc.com</p> | | <p>DESIGN: 车涛 2021.11.08</p> <p>CHECKED: 车涛 2021.11.08</p> <p>APPROVED: 车涛 2021.11.08</p> | | <p>PART NAME: 15P塑胶装配壳</p> <p>PART NO.</p> <p>DRAW NO.</p> <p>SHEET NO. 01 OF 01</p> | |
| <p>UNITS: mm [inch]</p> <p>TOLERANCE: XX ±0.35 XXX ±0.25 XXXX ±0-15 Angle ±3.0</p> <p>SCALE: 1:1 SIZE: A4</p> | | | | | |