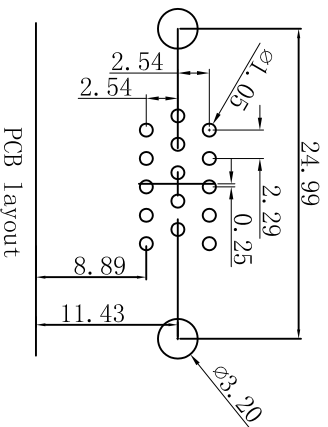
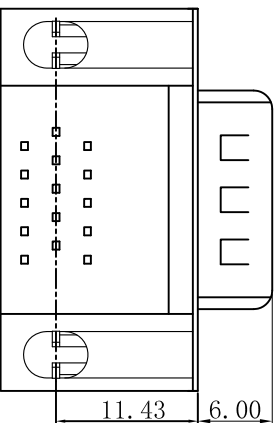
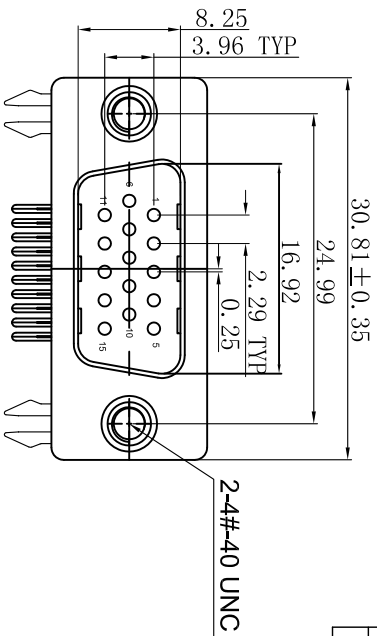
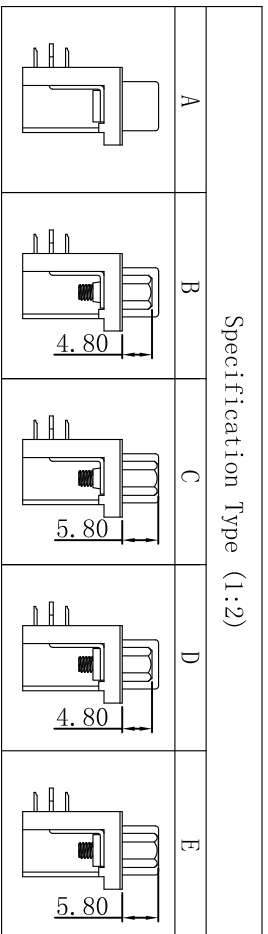


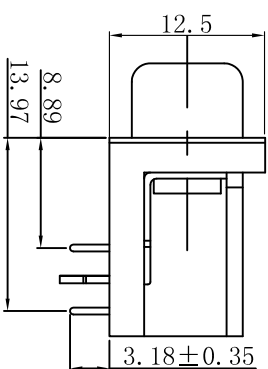
GP Component



Specification Type (1:2)



REV.	ECN NO.	LOCATIONS	DESCRIPTION	DATE	DESIGN
A0			原始版本(INITIAL EDITION)	2021.01.05	m t



CHARACTERISTICS:

1. RATED VOLTAGE: 250V
2. RATED CURRENT: 3.0AMP
3. CONTACT RESISTANCE: 30mΩ Max.
4. INSULATION RESISTANCE: 1000 MΩ MIN. 500V DC
5. Electric Pressure: Keeping 60 second in AC 500V/1mA
6. Operating temperature: -55°C~105°C
7. INSERTION/EXTRACTION FORCE PER CONTACT: 3.74Kg Max 0.33Kg Min.

01.HDR815 M X XXX XX A XXX

PIN Poles	15:15PIN				
M/F Differentiates	M=Male F=Female				
Hsg Color	1=Black 3=Blue 2=White 4=Green 5=Yellow 6=Purple				
Plating	G00:Gold flash G01:Gold 1U" G03:Gold 3U" Gxx:Gold XXU"				
	B00:Bright sn B01:Bright sn 1U" B03:Bright sn 3U" Bxx:Bright sn XXU"				
	M00:Matte sn M01:Matte sn 1U" M03:Matte sn 3U" Mxx:Matte sn XXU"				
Water Code					
Specification Type					
Hsg Material	H1=PB1 HF H4=PA66 HF 10=PB1 13=PA66				
	H2=PA6T HF H5=LCF 11=PA6T 14=PA46				
	H3=PA9T HF 12=PA9T				

<p>东莞市跃展精密连接器有限公司 Dongguan YueZhan Precision Connectors Co., Ltd</p>	DESIGN: 牟 2021.01.05	PART NAME: HDR 15M系列图
	CHECKED: 牟 2021.01.05	
APPROVED: 牟 2021.01.05	DRAW NO.	SHEET NO. 01 OF 01
SCALE:1:1 SIZE:A4		

